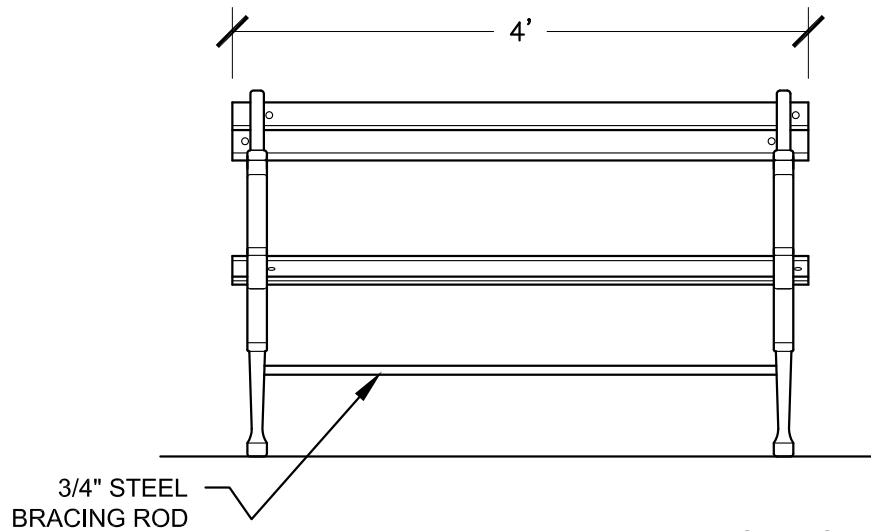
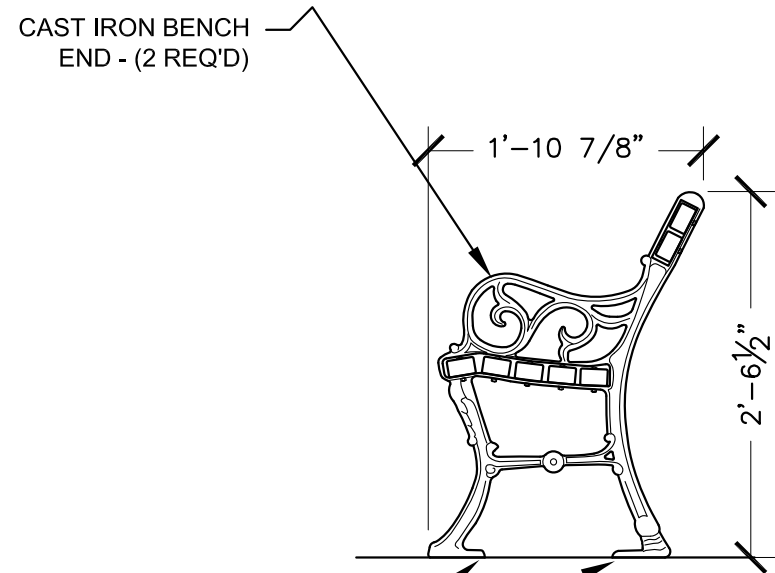


PLAN VIEW



ELEVATION



SIDE ELEVATION

UPON REQUEST, DRILLED 5/8" DIAM. CLEARANCE FOR 1/2" DIAM. ANCHOR BOLTS (BOLTS BY OTHERS)



# 4FT SCROLL BENCH

