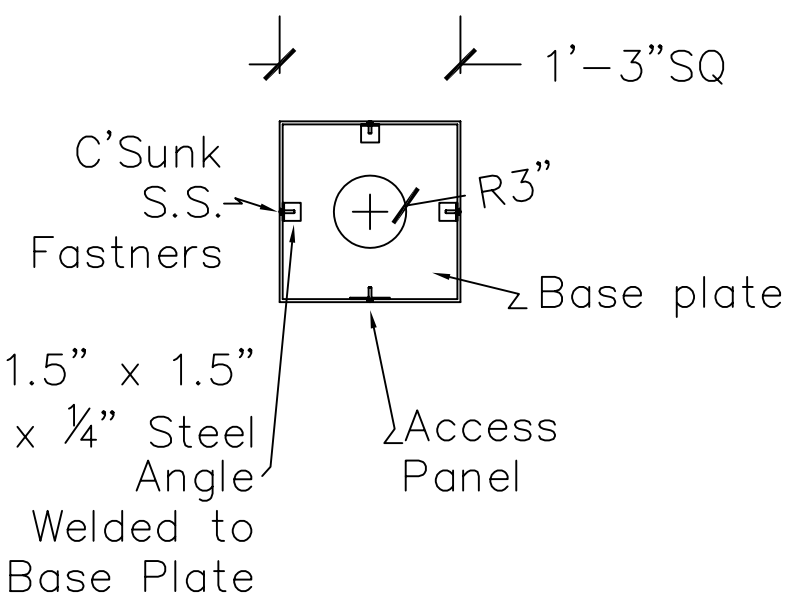


Section

Available With or Without Fixture

6'



Base Anchorage

1'-3" SQ

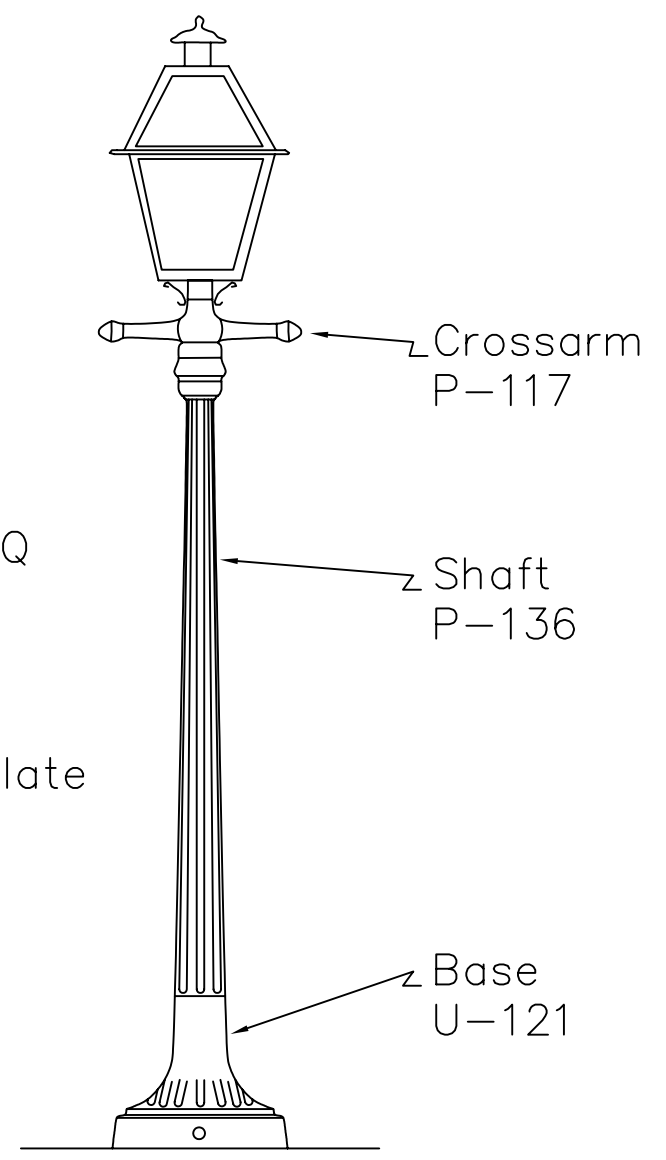
C'Sunk S.S. Fasteners

R3"

Base plate

1.5" x 1.5" x 1/4" Steel Angle Welded to Base Plate

Access Panel



Elevation

Crossarm P-117

Shaft P-136

Base U-121



TITLE:

Brewton Lamp Standard

SCALE:

3/4" = 1'

DWG. NO: