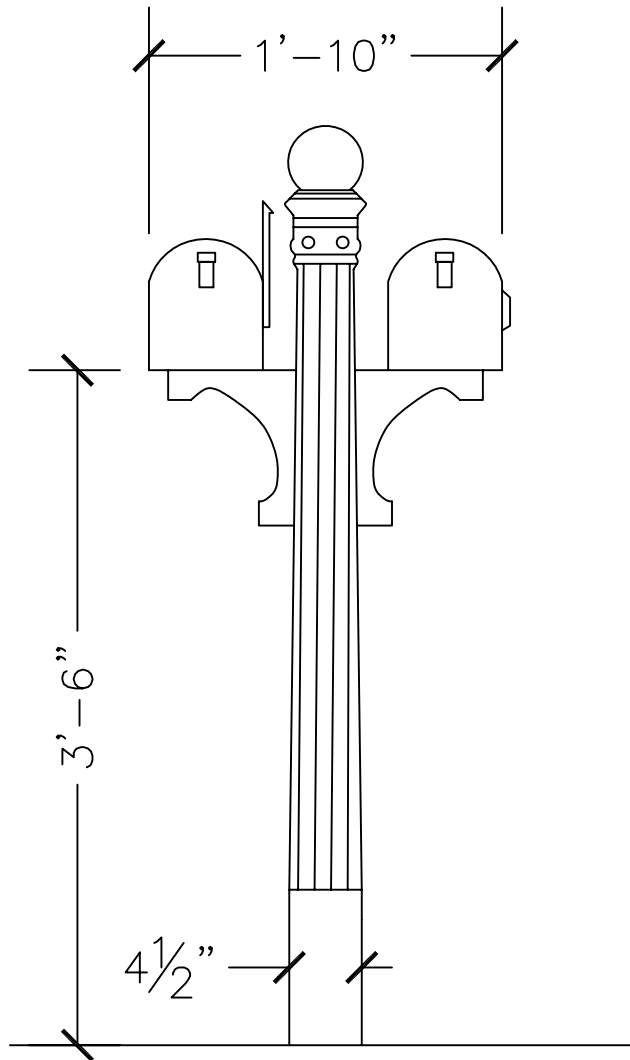


Overall Height: 4'-9"



**Robinson Iron**  
Robinson Road Alexander City, Alabama 35010

TITLE:

P-35 MailBox

SCALE:

1"=1'

DWG. NO: