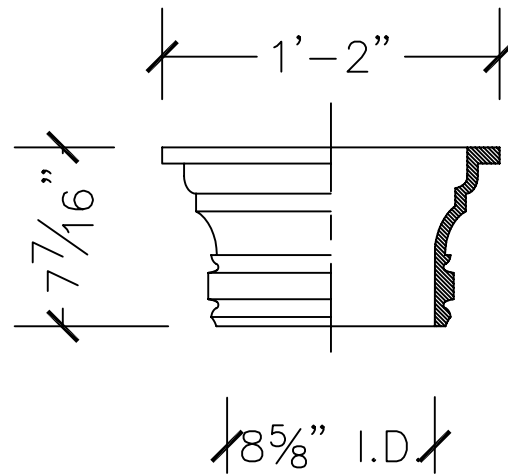


Note: Provided In Halves



For Std. 8" Structural Pipe
(Not Included)



TITLE:

C0808

SCALE:

$1-1/2" = 1'-0"$

DWG. NO: