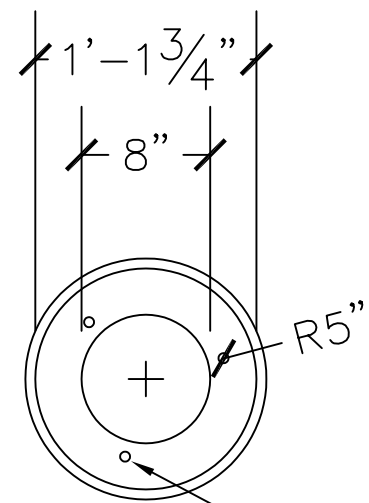


Elevation



$\frac{3}{4}$ " Dia. Clearance for $\frac{5}{8}$ " Dia. Anchor Bolts (3 req'd) (By Others)

Base Anchorage



TITLE:

Fluted Bollard

SCALE:

1"=1'

DWG. NO: