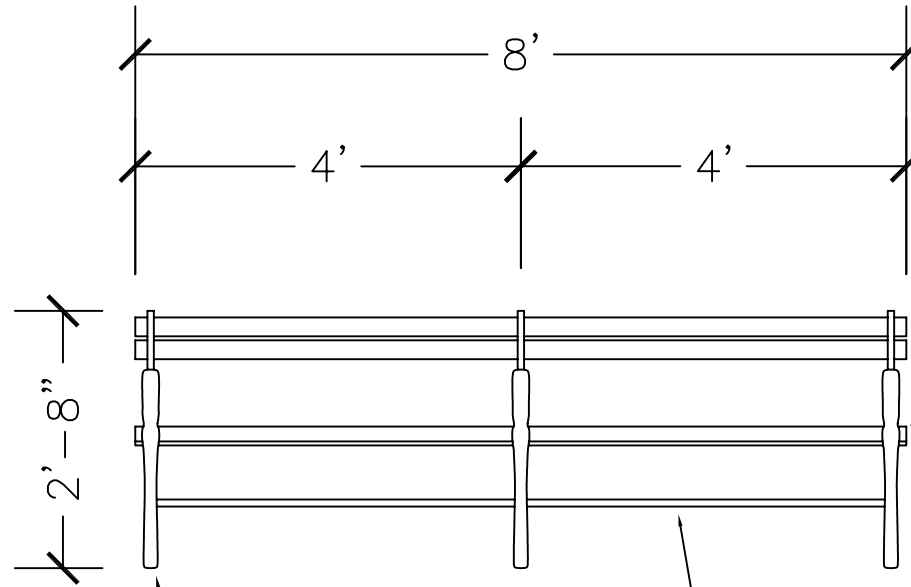


Drilled $\frac{5}{8}$ " Dia.
Clearance For $\frac{1}{2}$ "
Anchor Bolts



Cast Iron Bench
Ends (3 req'd)

$\frac{3}{4}$ " Steel Bracing
Rod

Clear White Oak
Slats Coated
With Clear
Exterior Varnish



TITLE:

8' Scroll Bench

SCALE:

$\frac{1}{2}$ "=1'

DWG. NO: