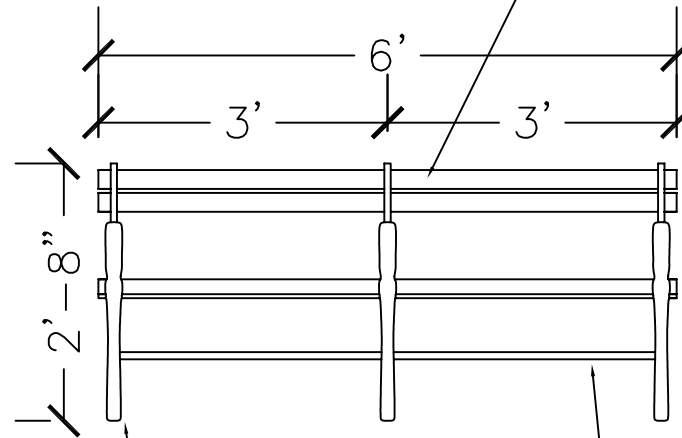


Drilled  $\frac{5}{8}$ " Dia. Clearance for  $\frac{1}{2}$ " Dia. Anchor Bolts (By Others)

Clear White Oak Slats Coated With Clear Exterior Varnish



Cast Iron Bench End (3 Req'd)

$\frac{3}{4}$ " Steel Bracing Rod