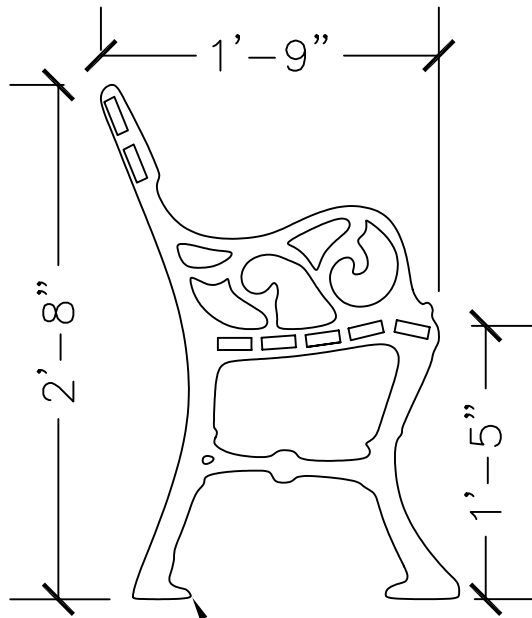
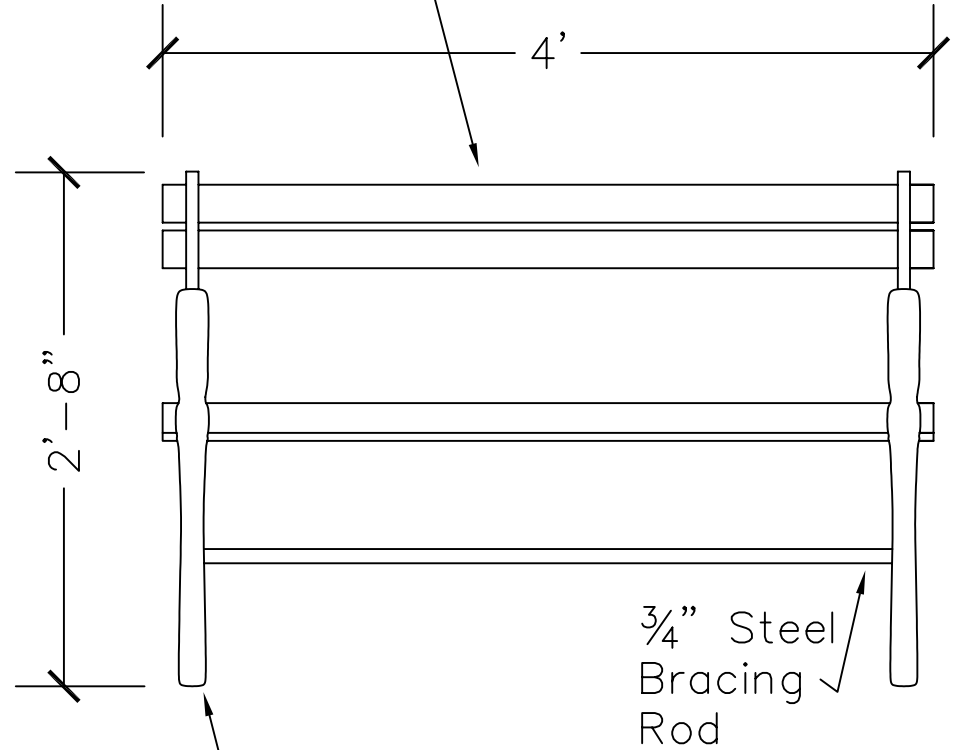


Clear White Oak Slats Coated
With Clear Exterior Varnish



Drilled $\frac{5}{8}$ " Dia. Clearance
For $\frac{1}{2}$ " Dia. Anchor
Bolts (By Others)



Robinson Iron
Robinson Road Alexander City, Alabama 35010

TITLE:

4' Scroll Bench

SCALE:

1"=1'

DWG. NO: