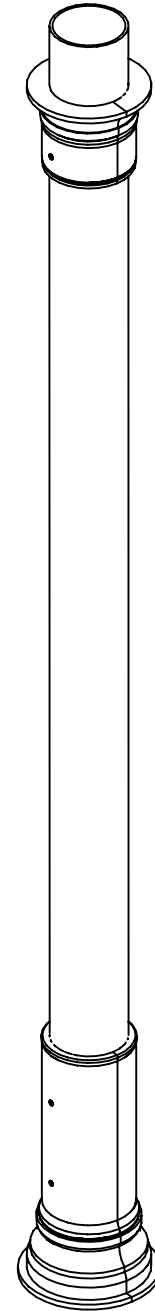
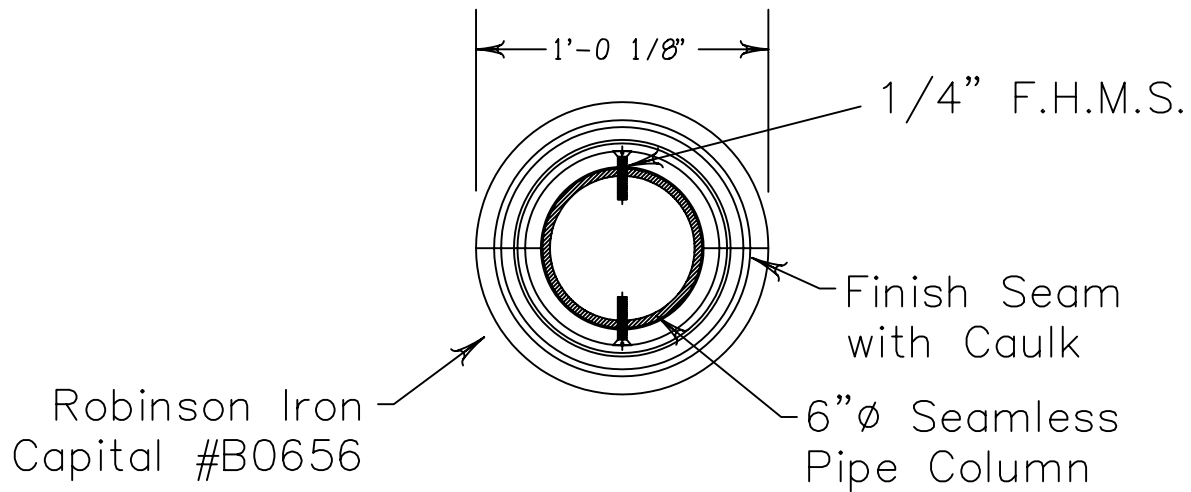


NOTE:

Standard 6" Sched 40 Pipe Measures:
6" I.D. , 6.625 O.D.



TITLE: Typ 6" Capital & Base Bolt Attachment

SCALE: 1 1/2" = 1'-0"

DWG. NO: VR103B5